



LNB

C-BAND DIGITAL DRO 8000I



TYPICAL SPECIFICATIONS

| | |
|--|---|
| Noise temperature | 20K to 30K depending on model number |
| L.O. stability (over temperature excl offset) | ±250 kHz to ±500 kHz depending on model number |
| Phase noise (SSB) | -65 dBc/Hz at 1kHz -80 dBc/Hz at 10kHz -95 dBc/Hz at 100kHz |
| Input VSWR | 2.0 : 1 |
| Output VSWR | 2.2 : 1 |

| | |
|---------------------------|---|
| Conversion gain | 64 dB |
| Output P1dB | 8 dBm |
| Power requirements | +15 to +24 V supplied through center conductor of IF cable |
| Current drain | 130 mA |
| Input Waveguide | CPR 229G |
| Dimensions | 180 (L) x 100 (W) x 70 (H) mm (7.1 x 4.0 x 2.8 in) |
| Weight | 425 g / 15 oz |
| Temperature Range | -40°C to +60°C |

FREQUENCY BANDS AVAILABLE

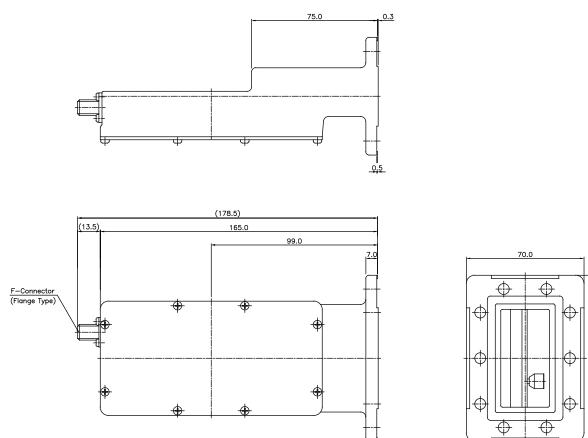
| | |
|-------------------------------|--------------|
| Typical service | 8000I |
| Input frequency (GHz) | 4.50 to 4.80 |
| L.O. frequency (GHz) | 5.95 |
| Output frequency (MHz) | 1150 to 1450 |

HOW TO ORDER

8220IF

| | |
|--------------------------|----------------------------------|
| CONNECTOR | F - 75 Ohm N - 50 Ohm |
| FREQUENCY | 4.5 - 4.8 GHz |
| NOISE TEMPERATURE | 20 - 20K 25 - 25K 30 - 30K |
| L.O. STABILITY | 2 - ±250 kHz 5 - ±500 kHz |
| LNB SERIES # | |

MECHANICAL DIAGRAM



*Available for 8000 (3.4 - 4.2 GHz Freq.) only

