

LNB-KU

Modelo: LNB-KU

- Especificação do produto

LNB Duplo com baixo ruído.

Solução Otimizada para receber Low & High Ku-band simultaneamente.

Opção de Conectores F ou N.



General Specification

Modelo: LNB-KU

	Frequency Range (MHz)	Q.C LIMIT (dB)
Frequency range Low/High	10.7 – 11.7 / 11.7 – 12.75 GHz	10.95 - 11.7 / 11.7 – 12.75 GHz
LO frequency	9.75GHz (Low band)	10.0 GHz (Low band)
	10.6 GHz (High band)	10.75 GHz (High band)
Spurious signals in low band high band	-60 dBm typ. @ 1700 MHz	-60 dBm typ. @ 1500 MHz
	-70 dBm typ. @ 1700 MHz	-70 dBm typ. @ 1500 MHz

General Specification

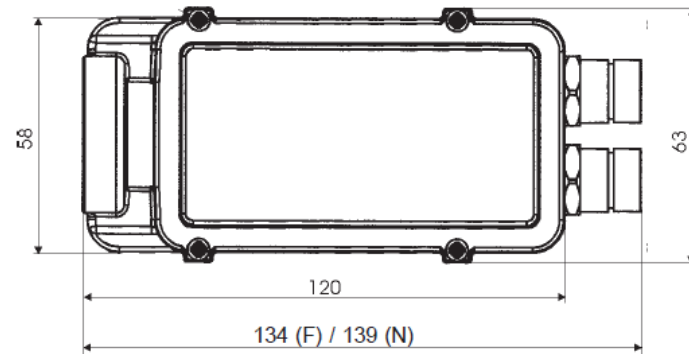
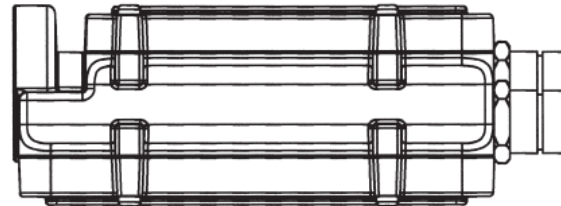
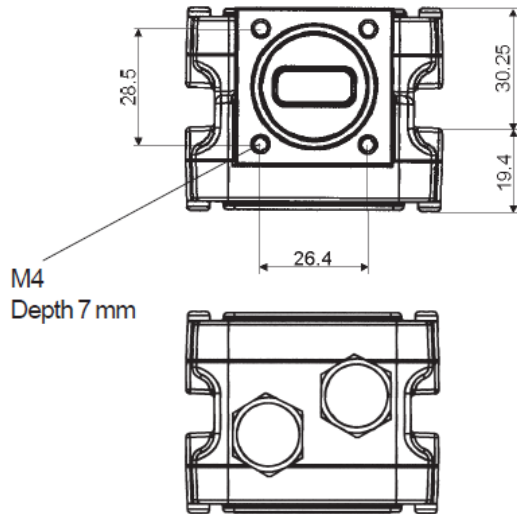
Noise figure, typical	0.8dB
Gain typical	52 dB
Gain Variation max.	± 4 dB/each band
	± 0.4 dB within 30 MHz
LO stability (over temp.)	± 3MHz
Age drifting	± 500KHz/year
LO Phase noise typ.	-75 dBc @ 1KHz
	-85 dBc @ 5KHz
	-95 dBc @ 10 KHz
	-110 dBc @ 100 KHz
	-115 dBc @ >1MHz
LO radiation	-60 dBm
Image rejection	50 dBm.
1 dB gain compression point	+5 dBm
IP3	+15 dBm
DC power	12-24 V / 180 mA typ (the dc can be feed through any of the two connectors. The LNB chooses the output with the highest voltage input)

Modelo: LNB-KU

Operating temperature	-30 to +60°C
Storage temperature	-40 to + 80°C
Input flange	WR-75 waveguide
Output connectors (waterproof)	F-connectors 75 ohm or
	N-connectors 50 ohm
Output VSWR	2:1 max
Dimensions	134 (139 N) x 58 x 50 mm
Weight	587 g (F-connectors)
	626 g (N-connectors)

General Specification

Options	High stability LO, ± 1 MHz over temp.
	High stability LO, ± 1.5 MHz over temp.
	High stability LO, ± 2 MHz over temp.
	Customized Los. (E.g. 10.2 & 11.0 GHz)
	Low gain
Enclosed accessories	Low output VSWR, 1.55:1
	O-ring
	Screw M4 x 8 4pcs
	Small M4 Key



High band
Low band