

## EX<sup>®</sup> Universal Compression Connectors Series 59, 6, Plenum and Headend Cable

Installers are faced with the problem of identifying old unmarked 60% through Quad Shield Series 6 cable, and having to guess which connector is the best match. This results in unnecessary service calls due to the use of the wrong connector/cable match.

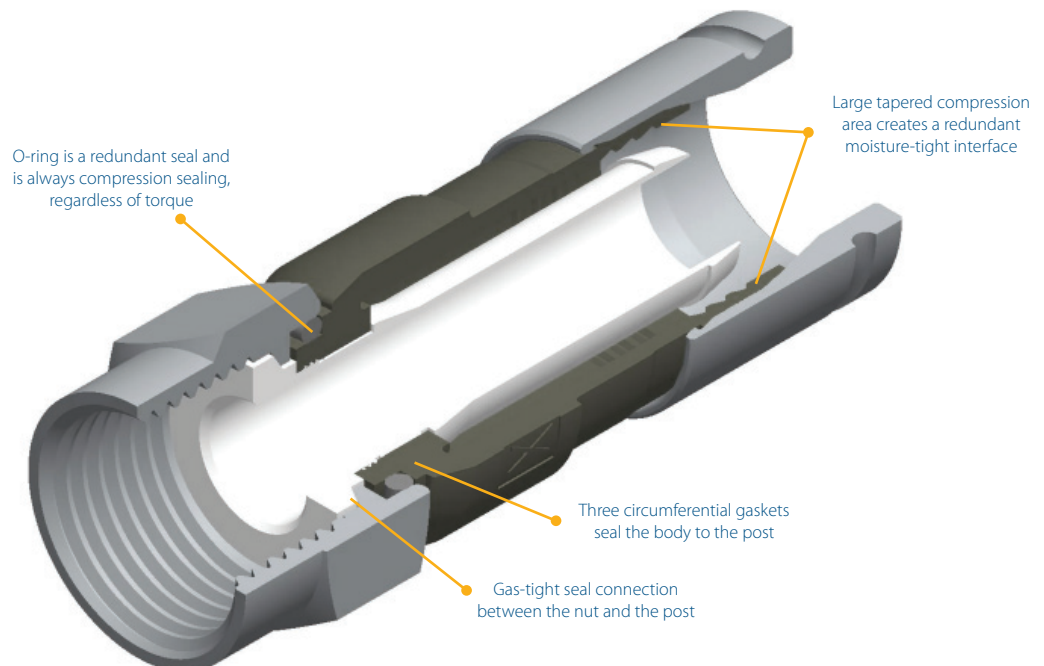
The unique patented design of the EX<sup>®</sup> body achieves true universality on 60% through Quad Shield for PE, and PVC jackets.



Specifications	
Bandwidth	0 MHz to 3 GHz
Impedance	75 Ohms (nominal)
Return Loss	Minimum -30 dB to 3 GHz
Insertion Loss	Less than .10 dB to 3 GHz
Operating Voltage	90 V (at 60 Hz continuous AC)
Operating Temperature	-40o F to + 140o F (-40o C to 60o C)
Cable Retention	45 lbs (20.41 kg) minimum

*Meets or Exceeds all SCTE Specifications*

### Features

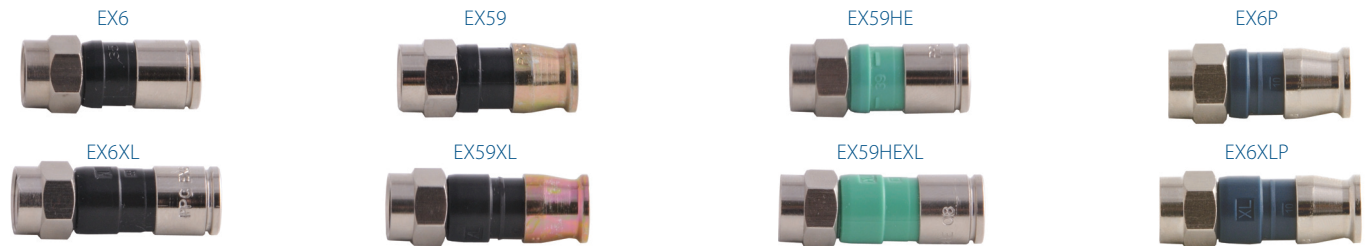


**Application**



EX® Universal compression connectors used in combination with port seals ensure proper port sealing every time

**EX® Series Universal Compression Connectors: Series 6, 59, Plenum & Headend**



**Part Numbers**

EX6	EX® Universal compression connector, series 6 cable
EX6XL	EX® Universal compression connector, extended body, series 6 cable
EX59	EX® Universal compression connector, series 59 cable
EX59XL	EX® Universal compression connector, extended body, series 59 cable
EX59HE	EX® Universal compression connector, CommScope & Times Fiber Headend cable
EX59XLHE	EX® Universal compression connector, extended body, CommScope & Times Fiber Headend cable
EX6P	EX® Universal compression connector, Plenum cable
EX6XLP	EX® Universal compression connector, extended body, Plenum cable



**Preparation & Installation Tools**

Compression Tool	CATAS, VT200 (for use w/ XL series)		
	CAT-AS-EX, VT300 (for use w/ EX series)		
¼" – ¼" universal drop cable preparation tool	LDT596-250	DDT59611	
7/16" snap torque wrench	TW207	TW307	TW307 AH